

ROLLER INSPECTION TABLE

The need for manual inspection of the peeled potatoes varies depending on the season and quality of the incoming potatoes. The Roller Inspection Table has specially designed aluminum rollers. This ensures that the potatoes turn and expose the entire surface to the staff at

the inspection table. The speed of the rollers can be easily adjusted. The cut trimmings are collected in a container. The Roller Inspection Table can also be supplied with individual cutting plates for each inspector (optional).



ADJUSTABLE
BELT SPEED



ALUMINIUM ROLLERS FOR
TURNING POTATOES

INSPECTION TABLE ADVANTAGES

Adjustable belt speed

Aluminium rollers for turning
potatoes

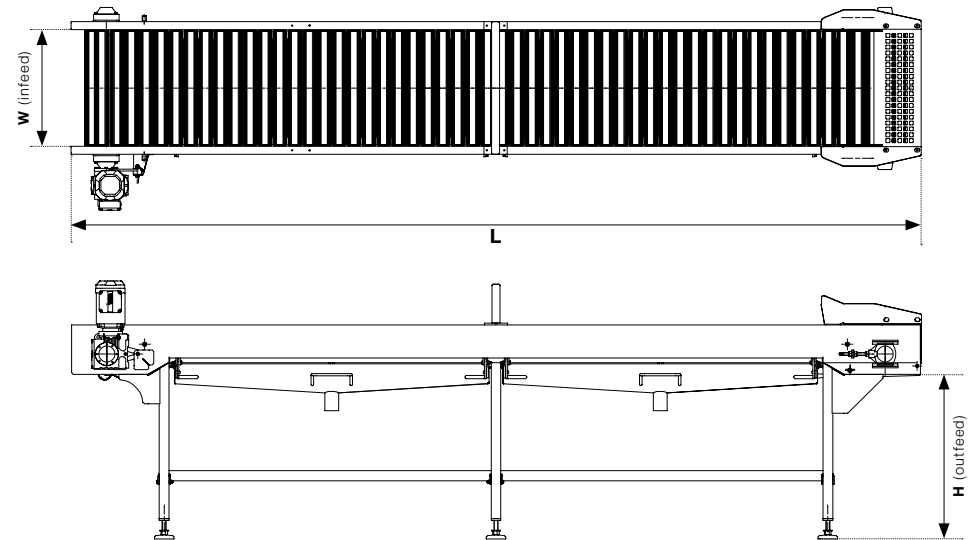
SIDE



SIDE/BACK



ROLLER INSPECTION TABLE	L (mm)	W INFEED (mm)	H OUTFEED (mm)	INSTALLED POWER
RI3000	3000	600, 800, 1000	700	0,75 kw
RI4000	4000	600, 800, 1000	700	0,75 kw
RI5000	5000	600, 800, 1000	700	0,75 kw
RI6000	6000	600, 800, 1000	700	0,75 kw



Rosenqvists Food Technologies • Väverigatan 2
SE 291 54 Kristianstad • Sweden • T: +46 44 590 41 40

www.rosenqvists.com

